

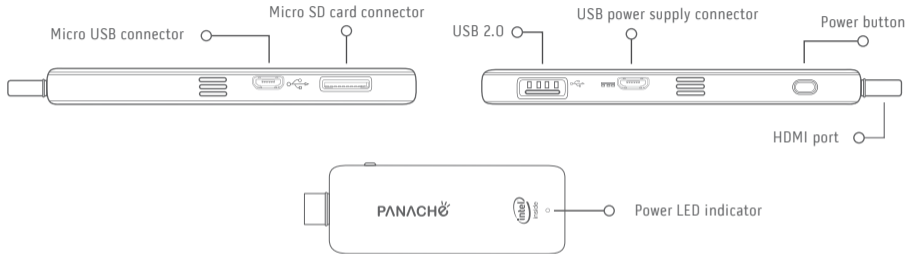
PANACHE



Air PC

World's smallest & lightest pocket computer

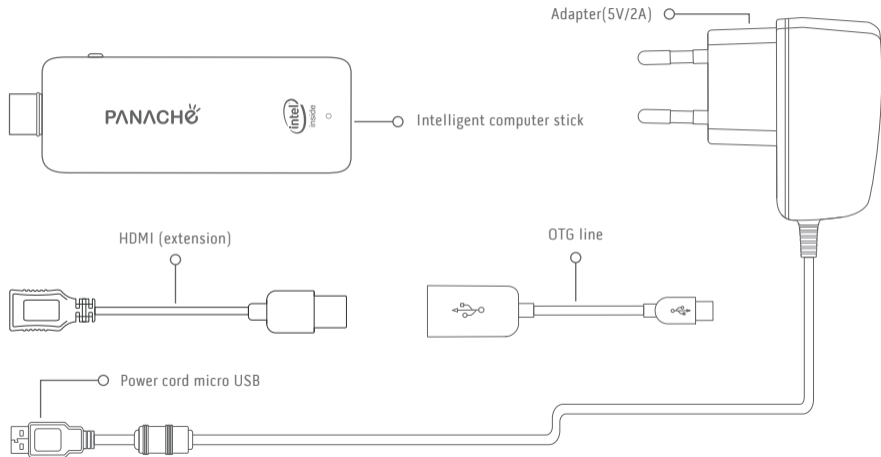
# Know your Air PC




## Product specifications

-  Intel Z3735F (quad-core processor, 1.33GHz)
-  2GB DDR3 RAM
-  Storage 32GB eMMC
-  Expandable storage upto 128GB
-  Bluetooth 4.0
-  Wi-Fi 802.11 b/g/n
-  HDMI, Micro SD, Micro USB, USB 2.0
-  Windows 10

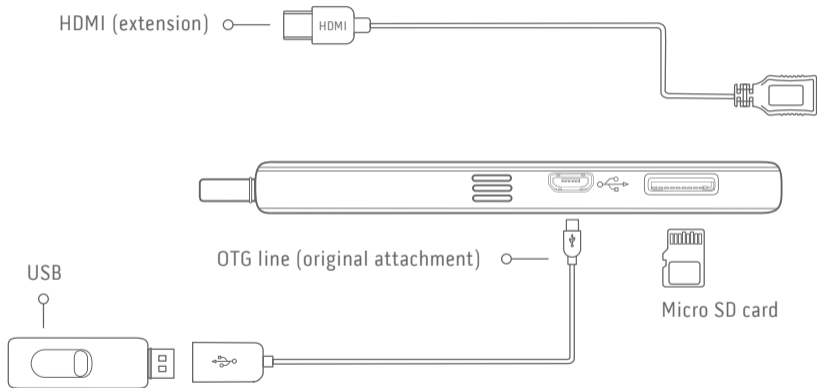
# Contents

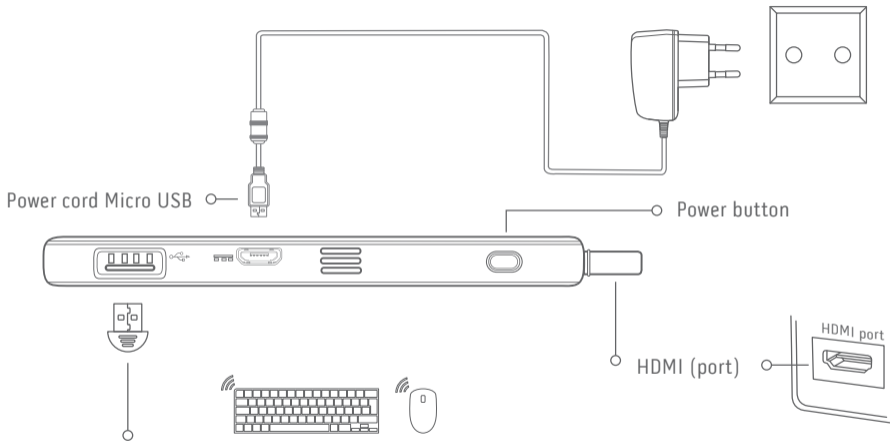


## Getting started

1. Plug your Air PC to the HDMI port of any display unit such as a television or a projector. If you are unable to connect the device directly, use the HDMI extension cable included in the box. Switch your display to the "video input source" and select the connected HDMI input channel.
2. Connect the power cord micro USB to the port with the  symbol. Plug in the power adapter firmly into the socket.
3. You can connect a wireless keyboard and mouse using the USB 2.0 port on the side of the Air PC. Alternately, you can connect via Bluetooth or using the OTG cable included in the box.
4. Press the power button to boot the Air PC. Be amazed.

## Connecting your Air PC





Can be used with bluetooth or wireless keyboard/mouse

## TERMS & CONDITIONS OF WARRANTY

Panache manufactured products are covered by a standard warranty program. To be eligible for this warranty, end customer must register himself at: [www.myairpc.com/register.html](http://www.myairpc.com/register.html)

### Period of coverage

The warranty period shall not be extended or reset if Panache authorizes the repair or replacement of any components, parts or the complete product by either Panache or an authorized service center and shall continue for the remainder of the warranty period from the date of original invoice.

Panache defines any replacements as recertified and or equivalent in value or performance of their original parts or product. Replacement parts are warranted to be free from defects in materials and workmanship for thirty (30) days or for the remainder of the warranty period of the product in which they are installed, whichever is longer.

Parts or products replaced under this warranty shall become the property of Panache and/or its authorized service center and shall be returned by the customer to Panache and/or its authorized service center.

If the customer authorizes Panache and/or its authorized service center to perform any services excluded under this warranty, the customer shall pay standard repair fees for such work.

- a. Panache warrants to the customer that the products shall be free from the defects in material & workmanship, arising under normal use, for 12 months from the date of installation or 13 months from the date of manufacturing, whichever is earlier.
- b. The warranty covers repair or replacement of defective spares & labor only. A transportation fee will be charged at current commercial rate should the customer request for a service technician to be dispatched to the customer's site.

- c. Panache reserves the right to request the proof of purchase either in the form of warranty card / invoice / copy of delivery challan before accepting liability for any warranty claim.
- d. The warranty will be terminated automatically for the defects caused beyond control like lightning, abnormal voltage, natural catastrophes, disasters, electrical burnouts and unauthorized tampering or abuse of the system.
- e. The warranty will automatically get terminated after the expiry of warranty period, even if the system may not be used for any time during the warranty period for what so ever reason.
- f. The warranty will be terminated if the warranty card is not completed properly at the time of purchase, if the product serial number has been altered/tampered, defects are caused by improper or reckless use & repair work is not carried out by authorized service providers.

#### **Hours of service and response time**

The hours of service will be from 9.30am to 6.30pm, Monday through Friday, excluding gazette holidays. On receipt of a service request, depending on the type of warranty, the following actions will be taken:

**On-site warranty** - A qualified service technician from Panache or its authorized service centre will be dispatched at the earliest possible time to the customer's site. Urgent request for service is subject to the nature of the fault and is entirely at the discretion of Panache. For RTB (return to bench) warranty procedure, kindly refer to the link: <http://www.myairpc.com/support.html>

#### **Limitations of service**

- a. Only designated Panache products are eligible for warranty.
- b. Modified or repaired by anyone other than Panache authorized service center personnel.
- c. The serial number sticker or anti-tampering labels on the system is missing, defaced, or modified in any manner.



- d. Diagnosis and maintenance service is strictly limited to the specific products covered by this warranty.
- e. Service call for malfunction and failures resulting from products not listed or covered by this warranty are subject to time, material and transportation charges.
- f. Panache will not be responsible for any damage to the disk heads or media directly caused by use of disk media not supplied by Panache.
- g. Unless the software is supplied by Panache & is recorded under this warranty, any request for service involving software related problems, including computer virus, will be subject to additional charges.
- h. Certain electro-mechanical devices (e.g., Hard disk drives, printers etc.) have a specific maximum usage rate. Product operated in excess of this rate will not be covered under this warranty.
- i. Any attempt to service the product under warranty not authorized by Panache will void the warranty. Panache will not be responsible for any failures as a result of unauthorized repairs. Repairs to rectify the defects will be charged according to current Panache rate.
- j. Repairs necessitated by damage resulting from tampering, negligence, abuse, accidents, wrong usage, improper grounding, voltage fluctuation, mishandling, unauthorized services does not come under the preview of the warranty terms.

END USER SUPPORT / SERVICE WILL BE PERMITTED BY THE DEALER.

#### **Warranty does not cover**

- a. Damage / loss /corruption of customer's records, programs, data / removable storage media, or the restoration / reinstallation of any programs or data other than the software installed by Panache when the product was manufactured.
- b. Improper or inadequate packing causing damages during return.
- c. Replacement of missing parts, the provision of retrofits or preventive maintenance. Installation or removal of accessory retrofits, peripheral equipment or computer systems of which the product may be a part.

- d. Repair or replacement of covers, plastics or appearance parts such as interior or exterior finishes or trim.
- e. Damage to the system due to parts of other manufacturers added or connected to the product.
- f. Any costs in shipping the product to Panache or its authorized service center.
- g. Damage or improper operation of the product caused due to customer abuse, negligence, or failure to follow operating instructions provided with the product.
- h. Consumable parts and components of the system that fail to meet Panache's definition of defective, including, but not limited to LCD panels with less than six (6) defective pixels. Panache sets limits on LCD's at 3 bright sub-pixels, 6 dark sub-pixels, or a combination of 6.
- i. Any cosmetic damage to the system caused by accident or customer abuse.
- j. The warranty does not cover any third-party software - including any pre-installed, reloaded or subsequently installed operating systems or application programs. All third-party software issues should be directed to respective software vendors.
- k. The warranty does not cover compatibility of any third-party software or hardware components with product, unless otherwise specified.
- l. The warranty does not cover lost or stolen products.
- m. The warranty does not cover uninterrupted or error-free operations of product in accordance with industry standards.
- n. The warranty does not cover products for which payments are still outstanding.

### **End user responsibility**

- a. The customer will operate the products under warranty in an environment conforming to the specifications for the product. The customer shall follow all operating and routine maintenance procedures.
- b. The customer will provide Panache with access, all the information and facilities deemed necessary by Panache to service the products.
- c. Panache personnel will not enter or remain at the customer's facility in the absence of the customer or his/her representative.
- d. The customer is responsible for backing up or copying all data or software residing in the product under this warranty. Panache assumes no responsibility for the loss or corruption of any data or software as a result of any service performed on the product.

### **Request for service**

- a. Prior to placing a service request, the customer should perform all basic troubleshooting programs.
- b. Provide pertinent details, symptoms of faulty models and serial number of equipment, warranty card number and date of purchase, address or location where the service is to be performed.
- c. The warranty agreement must be produced at the time of service. Failure to produce the warranty agreement will result in charges being levied for time, parts and transportation for any service performed.

### **Commitment to product recycling**

Panache offers product take back and recycling programs to customers. These initiatives are designed to satisfy customers and geographic needs while maximizing reuse, recycling and eco-friendly disposal of replaced and end of life products, parts and waste.

## Recycling process

Panache has been incorporated with an aim to provide eco-friendly recycling solutions for the fast growing requirement of scientific disposal of E- waste. We hope that with the best of our efforts and your co-operation we can team up and contribute a little to help save our home, Earth. Happy recycling!

## DISCLAIMER AND LIMITATION OF REMEDY:

All other express and implied warranties for this product, including the implied warranties of merchantability and fitness for a particular purpose and/or non-infringement of third party rights, are hereby disclaimed. Panache expressly disclaims all warranties not stated in this warranty. Any implied warranties that may be imposed by law are limited in duration to the term of this express warranty. Some jurisdictions do not allow the exclusion of implied warranties or limitations on how long an implied warranty lasts, so the above exclusions or limitations may not apply to the customer. The customer must read and follow the usage instructions in the applicable user guides and/or manuals enclosed. If customer fails to do so, this product may not function properly and customer may lose data or suffer other damages. Panache, its affiliates and suppliers do not warrant that operation of this product will be uninterrupted or error free. If this product fails to work as warranted above, customer's sole and exclusive remedy shall be repair or replace. In no event will Panache, its affiliates or suppliers be liable to customer or any third party for any damages in excess of the purchase price of the product. Under no circumstances shall Panache be liable for any loss, direct or indirect, incidental, special, or consequential damage arising out of or in connection with the use of this system. This warranty gives you specific legal right.

This product is not designed for any "critical applications." "Critical applications" means life support system, medical applications, connections to implanted medical devices, commercial transportation, nuclear facilities, or system or any other applications where product failure could lead to injury to person or loss of life or catastrophic property damage. Accordingly, Panache disclaims any and all liability arising out of the use of the product in any critical applications. If the customer uses the product in a critical application, the customer, and not Panache, assumes full responsibility for such use. Further, Panache reserves the right to refuse to service any product used in a critical application, and disclaims any and all liability arising out of the Panache service or refusal to service such product.


To avail of warranty services, please register at: [myairpc/register.html](http://myairpc/register.html)

Customer care number: +91 8655504444

Email address: [support@myairpc.com](mailto:support@myairpc.com)

[www.myairpc.com](http://www.myairpc.com)

powered by 

 Window